

PAC[®] Oneprox | Panel Mount Reader

One-piece design for use in audio and video entry panels

Overview

The PAC[®] Oneprox™ Panel Reader is especially designed for door entry security access control applications. Intended for flush mounting into a door entry panel and with 4 industry standard fixing holes set 48.5mm (1.9") square apart, the reader can be used as a replacement for existing panel mount readers, fitted into posts to control car barriers or in new applications for standard door entry panels.

High reliability and advanced PAC Oneprox technology ensures guaranteed quick, consistent and dependable read range characteristics that keep traffic moving through secure areas and low power consumption in a one-piece, easy-to-install package.

Providing a reassuring balance between innovation and investment protection, the PAC Oneprox Panel Reader helps building owners meet the strict requirements of the Disability Discrimination Act by making secure areas equally accessible to disabled users. The reader communicates its access status through an audible sounder, high visibility multi-colour LEDs and raised tactile graphics.

In operation, the reader has two LEDs (light emitting diode), one of which is red when the reader is active, with the other turning green with an optional audio sounder when the reader senses a valid token or card and the door controller activates the lock output.

The PAC Oneprox Panel Mount Reader is reliable, difficult to compromise and is constructed of a rugged polycarbonate plastic material and potted using flame-retardant resin allowing complete freedom of use - both indoors and out.

Key Features

- Up to 35mm (1.4 in.) reading range
- Reads PAC and KeyPAC technology ID tokens and cards
- Fast and dependable read times
- Designed to be unobtrusive and to flush mount directly into a standard door entry panel
- Easy installation with industry standard, low cost 6-core alarm cable
- Disability Discrimination Act (DDA) compliant features help provide equal accessibility for disabled users
- Compatible with Easikey, Easikey 1000, PAC 2200, 202 and 512 door controllers
- Sealed and rugged polycarbonate enclosure withstands harsh environment
- Lifetime guarantee

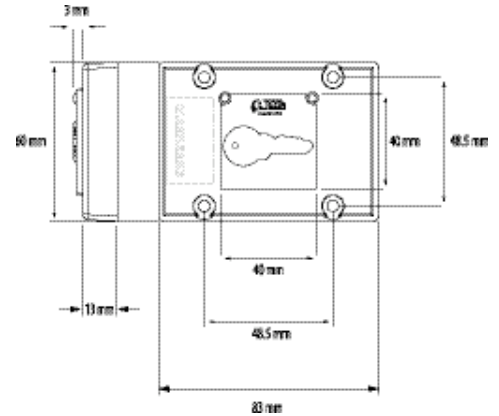


Anything else is a compromise



FEATURES AND SPECIFICATIONS CHART

PAC Oneprox Panel Mount Reader	
Description	Proximity reader for use in audio/video entry panels
ID Technology	PAC Oneprox (works with PAC and KeyPAC)
Dimensions	H: 83mm (3.3") W: 60mm (2.4") D: 16mm (0.62")
Weight	100g nominal
Maximum Read Range	Up to 35mm (1.4 in.)
Environment	IP66 - Indoor / Outdoor weather resistant
Maximum Current Requirements	< 100mA
Operating Voltage	10.5v to 28v
Recommended Cable Type	6-core 24AWG alarm cable
Door Entry Mounting	Industry standard 40mm square aperture. Panel thickness of 2.5mm required for flush mounting
Indicators	DDA compliant, high visibility dual colour (Red - Green), audible sounder and raised tactile graphics.
Tamper Output	Yes
Operating Humidity	10-85% non-condensing
Temperature	-20° to 60° C
Material	Polycarbonate Plastic UL94V0
Certifications	CE Mark, Fifteen EU Countries under the R&TTE Directive (EN60950 - ITE Electrical Safety, ETS EN 300 330 - SRD, and ETS EN 301 489 - EMC)
Ordering Information PAC Part Number	20042 - PAC Oneprox Panel Mount Reader (yellow & black) 20049 - PAC Oneprox Panel Mount Reader (blue & grey) Preferred by RNIB



PAC CARDS AND TOKENS

The PAC Oneprox Panel Mount Reader is the perfect partner for PAC's portfolio of PAC/KeyPAC technology tokens and cards.



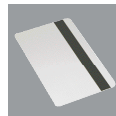
21020 - PAC Token
(with black clip)



20204 - PAC Token without clip
(a range of coloured clips available)



21039 - PAC ISO Proximity Card (pack of 10)



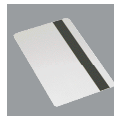
21041 - PAC ISO Proximity Card with Magstripe (pack of 10)



20250 - Key-PAC Token



21030 - Proximity Card (ISO)



21031 - Proximity Card (ISO) with Magstripe



20092 - Proximity Card (Clamshell)

THIS DOCUMENT IS PROVIDED TO YOU FOR INFORMATIONAL PURPOSES ONLY. The information furnished in this document, believed by PAC to be accurate as of the date of its publication, is subject to change without notice. PAC International assumes no responsibility for any errors or omissions in this document and shall have no obligation to you as a result of having made this document available to you or based upon the information it contains. († Maximum read range may vary depending on the physical environment of the installation. Lifetime guarantee terms defined in PAC Terms and Conditions document)

PAC* and the PAC logo, Oneplatform, PAC Oneprox are registered trademarks of PAC. Other companies and products named herein may be trademarks or registered trademarks of their respective owners, and are hereby acknowledged.

© Copyright 2006, PAC. A Stanley Security Solutions Business. All Rights Reserved. PN. 45265



PAC
A Stanley Security Solutions Business
1 Park Gate Close
Bredbury, Stockport,
Cheshire, SK6 2SZ, UK
t: +44 (0)161 406 3400
f: +44 (0)161 430 8658
www.pac.co.uk