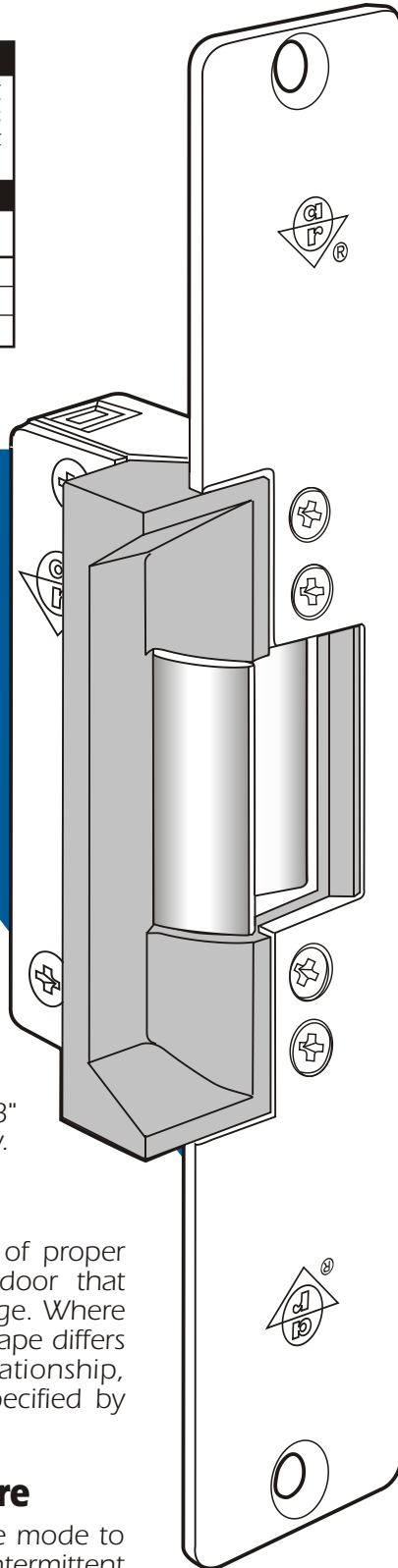


VOLTAGE

Available in 12, 16 or 24 volt AC and DC. DC and AC Continuous units are silent, AC intermittent units "buzz" on operation.

CURRENT DRAW/AMPS

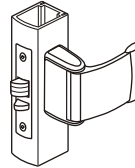
Volts	AC Int.	DC or AC Cont.
12	1.42	.33
16	1.03	.22
24	.74	.17



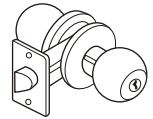
7110, 7111

ANSI/BHMA Type EO9321 (Grade 1)

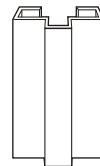
LATCH TYPE



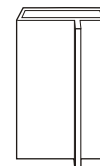
Adams Rite or Cylindrical Latches with 1/2" to 5/8" Projection.



DOOR FRAME TYPE



Hollow Metal



Narrowline Aluminum



Wood

UL Listed for Burglary Resistance

▼ Case

Approx. 1" x 3-3/8" x 1-5/8" deep. Zinc-aluminum alloy.

▼ Strike Lip

Basic 7110 strike has lip of proper length for 1-3/4" thick door that closes flush with jamb edge. Where door thickness or jamb shape differs from this standard relationship, extended lip available, specified by last dash number.

▼ Fail Safe/Fail Secure

Field convertible from one mode to the other. However, AC intermittent solenoid must not be used continuously in either.

▼ Strike Opening

5/8" x 1-7/16" x 1/2" deep. Bolt retainer jaw is stainless steel. Strike accepts bolt of any Adams Rite 4500/4700/4900 Series deadlatch or cylindrical latches.

▼ Faceplate

Faceplate for 7110 measures 1-7/16" x 7-15/16". For 7111, faceplate is 1-7/16" x 10-1/4". Available in a wide range of architectural finishes.

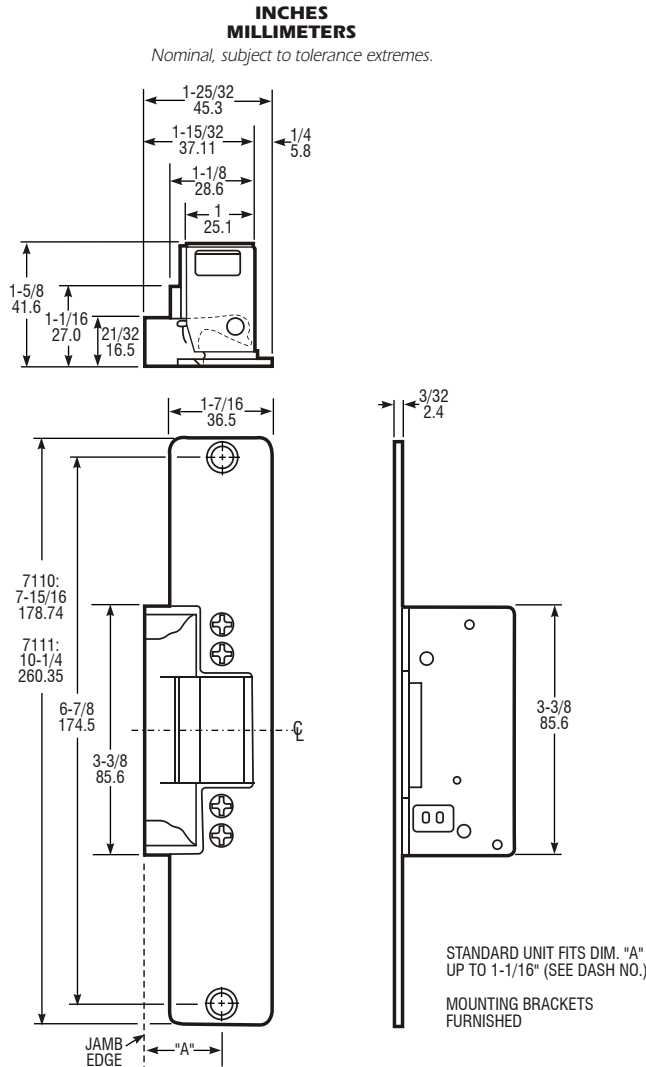
▼ Function

Replaces earlier 002, 7510 or 7810 electric releases in either metal or wooden jambs for remote electrical control of any door equipped with cylindrical latchset or Adams Rite Series 4500/4700/4900 (or similar) deadlatch. Electrical actuation unlocks strike jaw, releasing latchbolt so door can be opened without operating latch itself. Extremely compact mechanism fits into jamb sections as shallow as 1-5/8".



7110, 7111 Electric Strike

DIMENSIONS



HOW TO ORDER

Specify quantity and the following information.
Order 4603 Rectifier and/or 4605 or 4606 Transformer separately.
(4603 included with AC Cont.)

Faceplate Length	Voltage	Current & Duty	Features**
7110 7-15/16"	3 12 Volt	1 DC Continuous or Intermittent	0 Std/Fail-Secure
7111 10-1/4"	4 16 Volt	2 AC Continuous*	5 Fail-Safe
	5 24 Volt	4 AC Intermittent	7 Monitor/Fail-Safe
			9 Monitor/Fail-Secure

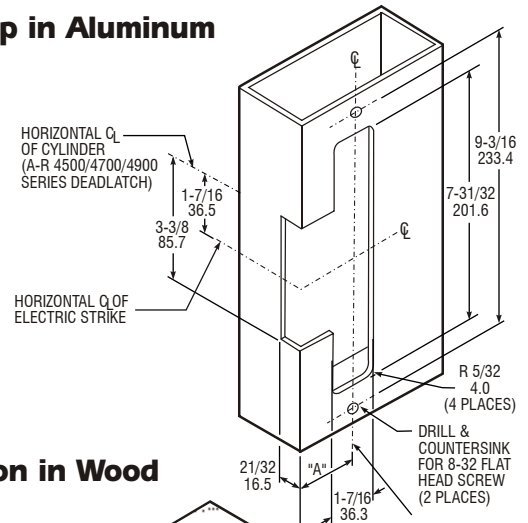
7110 - 310 - 652 - 00

Finish	Lip Extension (Dim. "A") (Door Centerline to Jamb Edge)
632 Bright Brass	01 1.06" or less
639 Satin Bronze	07 2.25"
640 Oil Rubbed Bronze	08 2.38"
652 Satin Chrome	02 1.63"
	09 2.50"
	03 1.75"
	10 2.63"
	04 1.88"
	11 2.75"
	05 2.00"
	12 2.88"
	06 2.13"
	13 3.00"

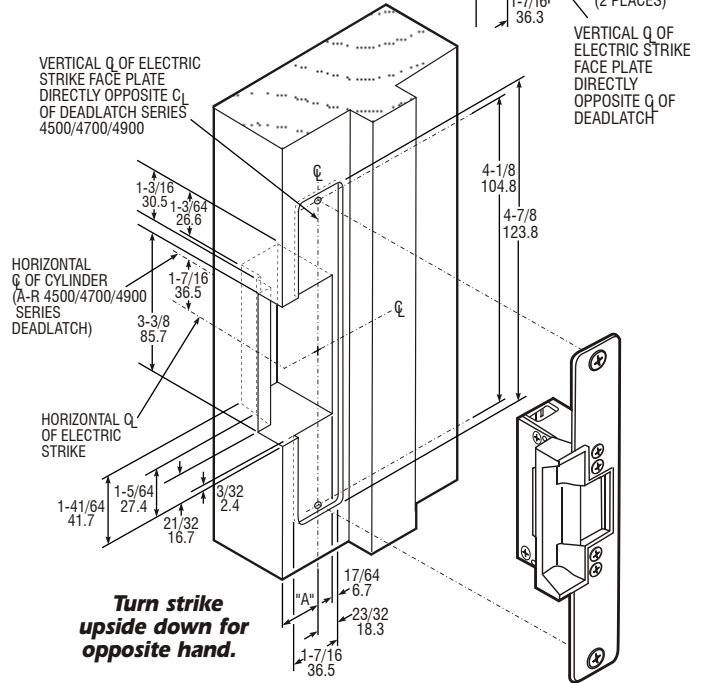
*A DC strike with rectifier attached for use on AC current.
**Fail-secure can be field converted to fail-safe or vice-versa.

INSTALLATION

Jamb Prep in Aluminum



Installation in Wood



STANDARD PACKAGE

Individually boxed with mounting screws, mounting clips and adhesive shims to accommodate jamb or stile extrusion thickness greater or less than nominal 1/8 inch.

OPTIONS

Available with two monitoring signal switches which sense whether latch bolt is in strike and whether strike jaw is blocked. Choice of voltage in AC and DC for intermittent or continuous duty. Specify assembled for either fail-secure (locked when unpowered) or fail-safe (locked when powered) operation, but can be field-converted to the other mode. Model 7110 and 7111 are identical except for their faceplate length.

4603 Rectifier - Converts AC to DC, installs in low voltage line between transformer and strike. Rated 2 amps. (200 PIV).

4605 Transformer - Converts 120VAC to 12/24VAC. Rated 40 Volt-amp output assures plenty of power for strike release. Patented mounting bracket fits in knockout hole of standard junction boxes.

4606 Transformer - Plug-in version for standard wall outlet.

See separate specification sheet for more information on Strike options.